

# ZENIT® P100 DTW

PROFESSIONAL OUTDOOR LED PAR SPOTLIGHT  
WITH 125 W AND DIM-TO-WARM TECHNOLOGY (DTW)



## DESCRIPTION

The ZENIT® P100 DTW is the perfect all-rounder that can be used as a blinder, strobe and wash light. Featuring high-quality warm white and amber-colored LEDs, our Dim-To-Warm (DTW) technology and special software-based programming, the ZENIT® P100 DTW can create optimal effects and rich warm colors. The PAR spotlight was developed as a replacement for traditional halogen headlights, which is why we equipped it with a front grille to give it the classic blinder look. And if you need rapid boost effects for your performance, the ZENIT® P100 DTW is the perfect choice: The blinder mode enables an impressive short-term brightness boost of 15%. Used as a wash light, the spotlight delivers tunable shades of white from 1600 to 3100 Kelvin and a CRI of over 97 - ensuring optimal color reproduction for stage design and actors. The powerful 125-watt all-rounder is IP65-rated and thanks to its patented SPIN16® technology, is easily mounted indoors or outdoors.

## FEATURES

- ▶ Powerful outdoor LED PAR spotlight with 14400 lx @ 1 m
- ▶ Versatile application as blinder, strobe, wash light etc.
- ▶ Energy-saving replacement for conventional halogen blinders
- ▶ Simulates the dimming characteristics of halogen lamps via Dim-to-Warm technology (DTW)
- ▶ 4 selectable dimmer curves with adjustable dimmer response
- ▶ 16-bit technology for consistent, high-resolution white tones and dimming characteristics
- ▶ Interchangeable front lens for 16° or 34° beam angle
- ▶ Patented SPIN16® technology for fast and flexible mounting (16-mm TV spigot built into retaining bracket)
- ▶ Optimum color rendering thanks to a CRI > 97
- ▶ Barn door, filter frame and Omega bracket optionally available



Features and specifications  
subject to change without notice.

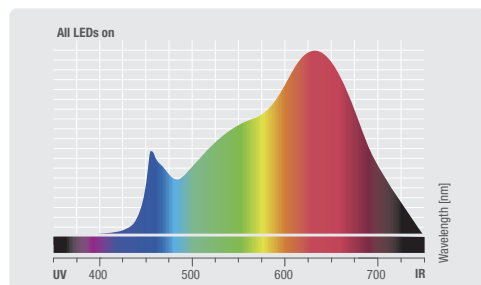
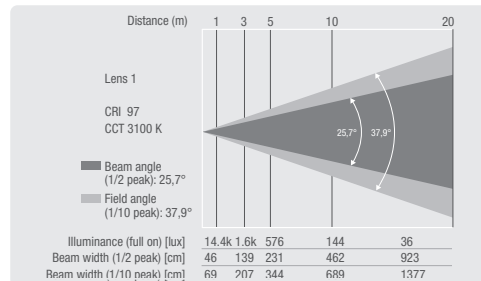
[adamhall.com](http://adamhall.com)

# ZENIT® P100 DTW

PROFESSIONAL OUTDOOR LED PAR SPOTLIGHT  
WITH 125 W AND DIM-TO-WARM TECHNOLOGY (DTW)



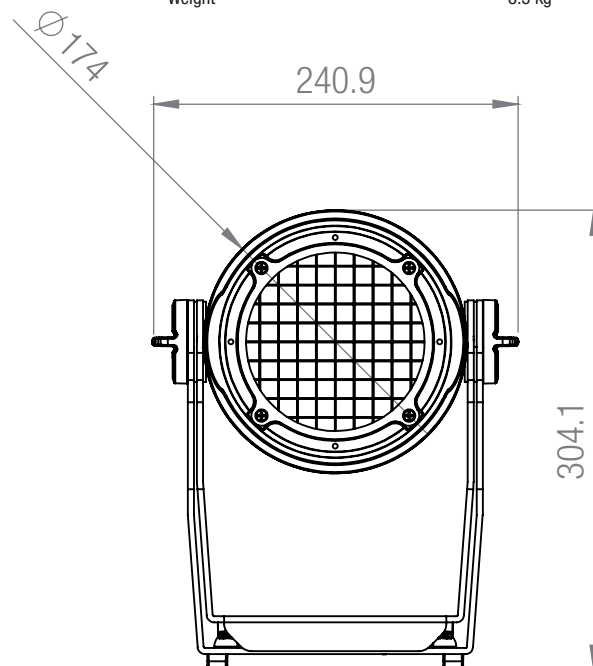
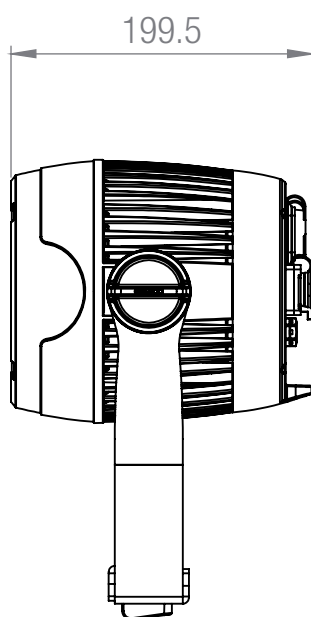
## PHOTOMETRICAL DATA



Luminous flux	Chromaticity coordinates			
All LEDs on	3300 lm	x	0.437 y	0.401
Warm white	3150 lm	x	0.430 y	0.401
Amber	150 lm	x	0.576 y	0.400

## SPECIFICATIONS

Product type	LED Outdoor Wash Light
Type	Outdoor
Color spectrum	Amber, Warm White
Number of LEDs	1
LED type	125 W COB
LED PWM Frequency	800 Hz, 1200 Hz, 2000 Hz, 3600 Hz, 12 kHz, 25 kHz - adjustable
Dispersion	Lens 1: 42 °, Lens 2: 26 °
DMX input	IP65, XLR 5-pin male
DMX output	IP65, XLR 5-pin female
DMX mode	2-channel 2, 4-channel, 1-channel, 2-channel 1, 2-channel 3
DMX Functions	Dimmer, Dimmer response, strobe, Various system settings, Amber, Dimmer Fine, Warm White
System settings	Dim to Warm, Display Lock, Factory reset, Key illumination, LED PWM Frequency, Various system settings, Calibration, Dimmer Curves, Dimmer response, Display Illumination, DMX Fail, Operating mode, Rotate display by 180
Standalone modes	Auto programs, Master / Slave mode, Static, strobe
Control	RDM enabled, DMX512
Controls	Down, Enter, Up, Mode
Indicators	OLED Display
Operating voltage	100 V AC - 240 V AC, 50 - 60 Hz
Power consumption	140 W
Power connector	Input and output, Power Twist sockets IP65 (output max. 10 A)
Housing material	metal
Cabinet color	Black
Protection class IP	IP65
Cooling	Temperature controlled fan (IP65)
Illuminance	Lens 1: 5580 lx, Lens 2: 14400 lx
Luminous flux	3300 lm
Color temperature	A: 1650 K, WW: 3100 K
CRI	> 97
Ambient temperature (operating)	-15 - 45 °C
Width	174 mm
Height	174 mm
Depth	199 mm
Weight	8.3 kg



Features and specifications  
subject to change without notice.

[adamhall.com](http://adamhall.com)