

Q-SPOT 40i

COMPACT IP65 OUTDOOR SPOTLIGHT
WITH 40W RGBA LED IN BLACK AND WHITE HOUSING



FEATURES

- ▶ Compact LED outdoor spotlight with single 40W RGBA LED
- ▶ IP65 rated for permanent outdoor installation
- ▶ Custom lens with 4.5° beam spread for uniform light intensity
- ▶ RDM enabled
- ▶ 360° rotatable anti-glare shield
- ▶ 16-bit technology for high definition colors and ultra smooth dimming
- ▶ 4 high resolution dimming curves with adjustable response
- ▶ 4 modes of DMX control plus master, slave and standalone capability
- ▶ OLED display with 4 touch buttons for easy configuration
- ▶ Convection cooling for noiseless performance
- ▶ Includes ground spike, infrared remote, 2 replacement lenses for 10° or 25° beam angles, Power & DMX IN cables and endcaps for Power & DMX I/O
- ▶ Available in black or white housing

DESCRIPTION

Highlighting objects with pinpoint accuracy and showcasing them in brilliant colors both indoors and outdoors - that is the forte of Cameo's Q-Spot 40i. Rated IP65, the compact luminaire is the perfect choice for private and public spotlighting and suitable for garden parties, parks, galleries and museums. It is equipped with a powerful 40 watt RGBA LED that has a 50,000 hour life expectancy and comes with a 360° rotatable anti-glare shield.

The Q-Spot 40i is RDM enabled and sports a custom lens for a tightly focussed 4.5° beam spread. It comes with two replacement lenses offering versatility and a choice of 10° and 25° angles. Using 16-bit technology, the spotlight achieves intense, high definition RGBA color mixes and ultra smooth dimming with selectable curves and response. It operates without flicker, and highly efficient convection cooling ensures noiseless operation and minimum maintenance requirements.

The Q-Spot 40i provides 4 modes of DMX control, autorun programs and master, slave and standalone capability. A convenient infrared remote control is included. The spotlight features a bright OLED display with 4 touch buttons for easy configuration. The rugged all-metal housing provides 3-pin DMX and power inputs and outputs with waterproof threaded coupling for trouble-free daisy-chaining and power linking. The Q-Spot 40i is available with a black (item no. CLQS40IB) or white housing (item no. CLQS40IW).



Features and specifications
subject to change without notice.

adamhall.com

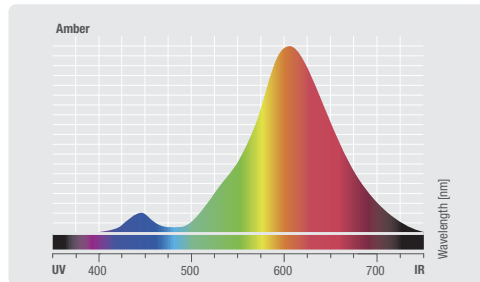
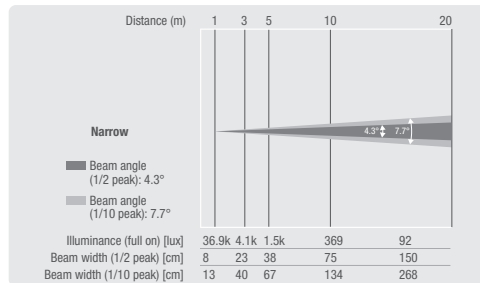
Q-SPOT 40i

COMPACT IP65 OUTDOOR SPOTLIGHT
WITH 40W RGBA LED IN BLACK AND WHITE HOUSING



PHOTOMETRICAL DATA

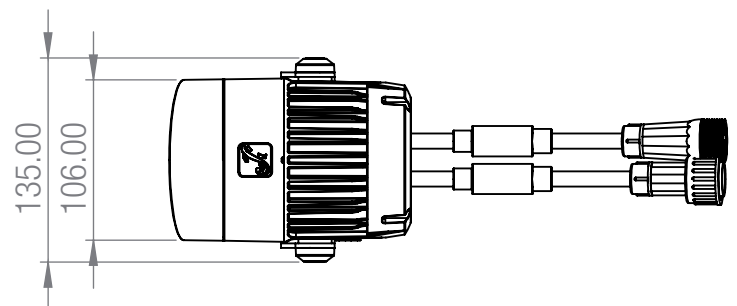
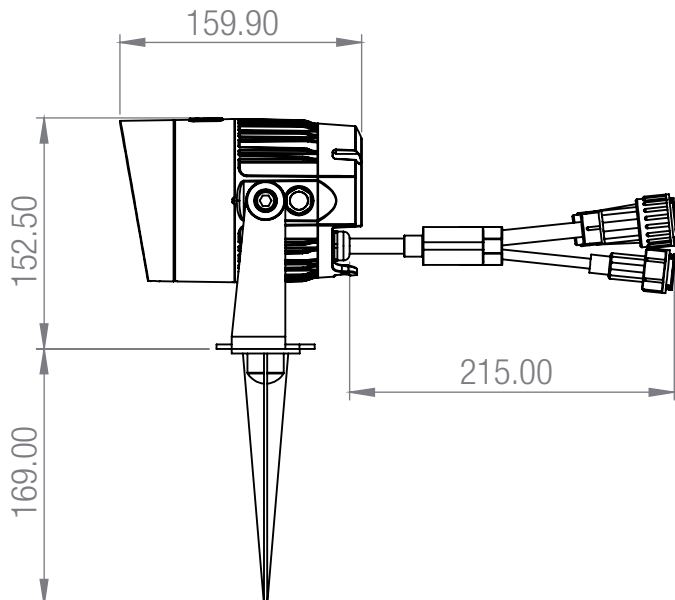
| Luminous flux | Chromaticity coordinates | |
|---------------|--------------------------|-----------------|
| All LEDs on | 582 lm | x 0.207 y 0.163 |
| Red | 93 lm | x 0.699 y 0.294 |
| Green | 223 lm | x 0.153 y 0.676 |
| Blue | 54 lm | x 0.155 y 0.025 |
| Amber | 245 lm | x 0.523 y 0.422 |



SPECIFICATIONS

| | |
|---|---|
| Product type | LED PAR Lighting |
| Type | Outdoor |
| Color spectrum | RGBA |
| Number of LEDs | 1 |
| LED type | 40 W |
| Average LED lifetime | 50000 hrs. |
| Refresh rate | 3600 Hz |
| Dispersion | 4.5° (10°, 25° over optional diffusers) ° |
| DMX input | 3-pole IP65 plug, screwable |
| DMX output | 3-pole IP65 plug, screwable |
| Protocols | USITT DMX-512 |
| DMX mode | 3-channel 1, 9-channel, 4-channel, 2-channel |
| DMX Functions | Master dimmer, strobe, RGBW, color macro, color jump |
| Wireless DMX | No |
| Standalone modes | Slave mode, color fade, color macro, color jump, Auto run |
| Controls | Mode, Value Up, Value Down, Enter |
| Indicators | OLED Display |
| Operating voltage | 100 V AC - 240 V AC, 50 - 60 Hz |
| How many devices can be connected (110 V) | 5 |
| How many devices can be connected (240 V) | 5 |
| Power consumption | 48 W |
| Power connector | 3-pole IP65 plug, screwable |
| Max. output current | 12 A |
| Power supply connection | 3-pole IP65 plug, screwable |
| Housing material | Metal |
| Cabinet color | Black |
| Protection class IP | IP65 |
| Cooling | Convection |
| Illuminance | 36900 lx @ 1 m |
| Luminous flux | 582 lm |
| Maximum Ambient Temperature | 0 - 40 °C |
| Width | 107 mm |
| Height | 150 mm |
| Depth | 160 mm |
| Weight | 1.9 kg |

Accessories (included) End caps for Power Out & DMX Out, Power IN Cable, DMX IN Cable



Features and specifications
subject to change without notice.

adamhall.com